

Contract Services

Our Services Include

- Sub-assemblies
- Kitting
- Packaging
- Testing and Simulations
- Equivalent Component Sourcing
- Worldwide Distribution

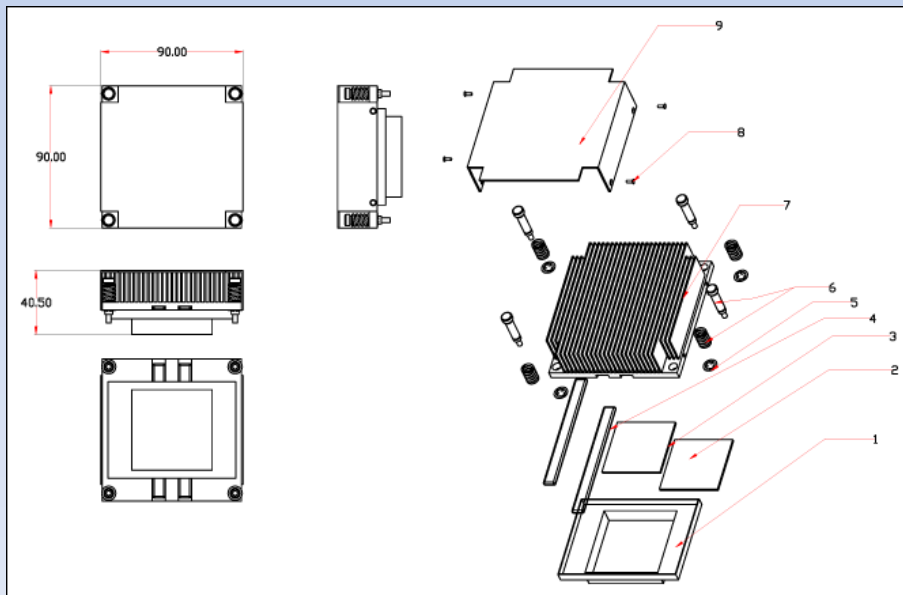
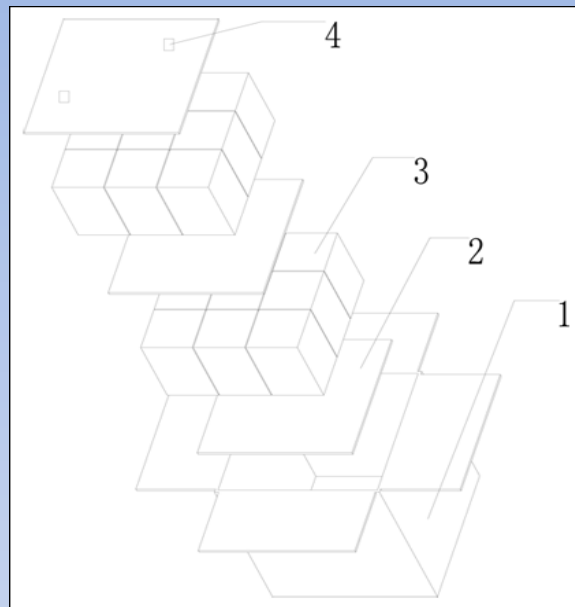
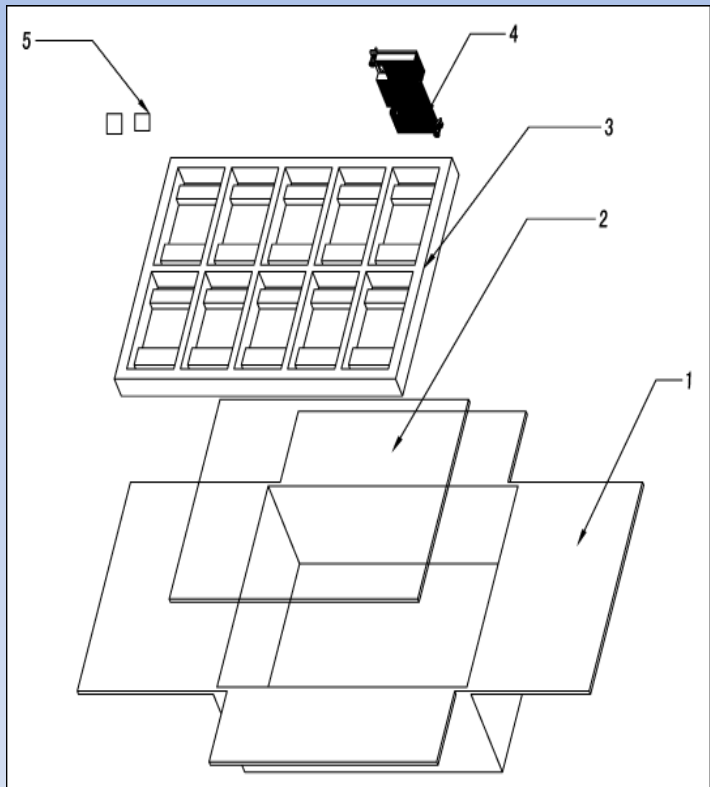
Assembly of Mechanical Parts and Packaging

- Hardware - springs, screws, clips etc.
- Thermal interface materials (TIM)
- Fans and Shrouds
- Add part numbers and additional markings
- Heat Pipes soldering and or epoxy embedding
- Soldering of Fins and or Heat pipes
- Packaging: anti-static plastic wraps, protective covers, thermal formed trays, and specialty formed foams

Assembly Line



Packaging



Simulations and Testing

